



# BEZ-Line Condensing Units

## PRODUCT DATA & SPECIFICATIONS

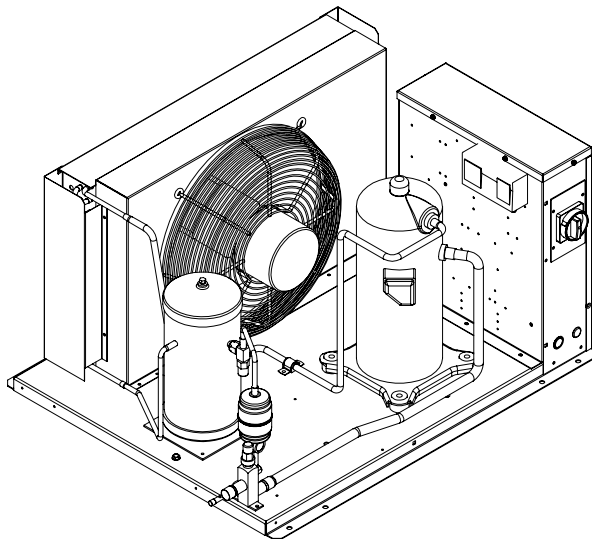
Bulletin B40-BEZ-PDS-60-2

1079410

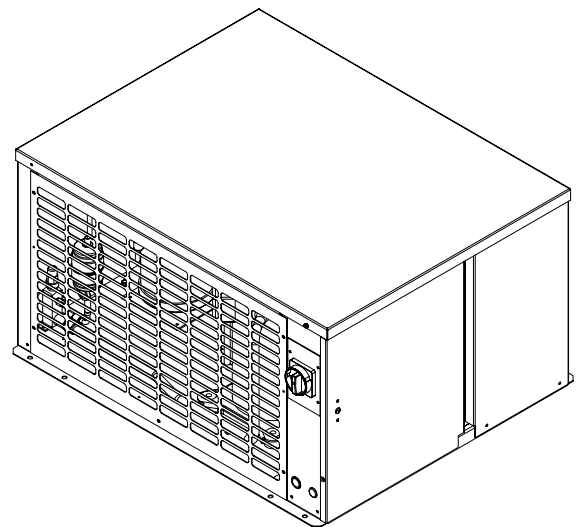
**60**  
**Hz**

Indoor/Outdoor  
Air-Cooled Scroll  
Condensing Units

2 to 10 HP -  
High, Medium and Low  
Temperature Refrigeration



Indoor Unit

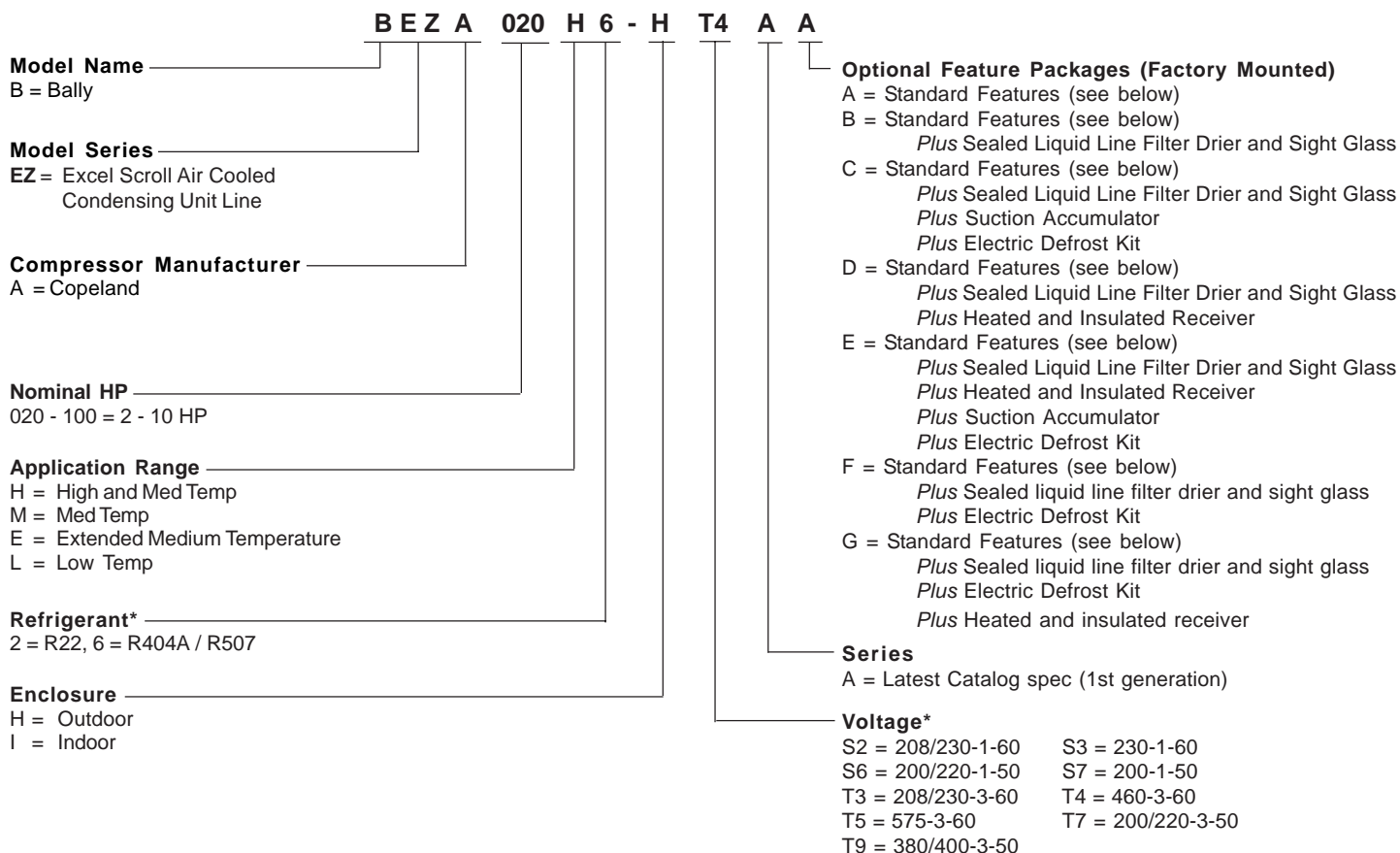


Outdoor Unit

## CONTENTS

	<b>Page</b>
Nomenclature.....	2
Features.....	2 - 3
Capacity Data (Imperial and <i>Metric</i> ).....	4 - 8
Electrical Data.....	9 - 10
Dimensional Data.....	11 - 12
Specifications.....	13
Wiring Diagrams.....	14 - 16

# NOMENCLATURE



\* subject to compressor availability

## STANDARD FEATURES

### **Indoor Unit:**

- Weatherproof electrical control box with compressor contactor and fused control circuit
- Welded hermetic scroll compressor
- High efficiency enhanced tube and fin condenser design
- Energy efficient PSC condenser fan motor
- Receiver with fusible plug and liquid shut off valve
- Adjustable dual high / low pressure control
- Suction service valve
- Pre-formed copper tubing
- Liquid injection (low temp. models)
- Unit leak tested and shipped with Helium holding charge

### **Outdoor Unit: All Standard Features of Indoor Unit, Plus:**

- Outdoor weather-resistant housing with removable hood
- Flooded head pressure control (non adjustable)
- Crankcase heater

## OPTIONAL FEATURE PACKAGES (Factory Mounted)

### Package A:

- Standard Features (see pg. 2)

### Package B:

- Standard Features (see pg. 2)
- *Plus* Sealed Liquid Line Filter Drier & Sight Glass

### Package C:

- Standard Features (see pg. 2)
- *Plus* Sealed Liquid Line Filter Drier & Sight Glass
- *Plus* Suction Accumulator
- *Plus* Electric Defrost Kit

### Package D:

- Standard Features (see pg. 2)
- *Plus* Sealed Liquid Line Filter Drier & Sight Glass
- *Plus* Heated and Insulated Receiver

### Package E:

- Standard Features (see pg. 2)
- *Plus* Sealed Liquid Line Filter Drier & Sight Glass
- *Plus* Heated and Insulated Receiver
- *Plus* Suction Accumulator
- *Plus* Electric Defrost Kit

### Package F:

- Standard Features (see pg. 2)
- *Plus* Sealed liquid line filter drier and sight glass
- *Plus* Electric Defrost Kit

### Package G:

- Standard Features (see pg. 2)
- *Plus* Sealed liquid line filter drier and sight glass
- *Plus* Electric Defrost Kit
- *Plus* Heated and insulated receiver

## OPTIONAL FEATURES (Factory Mounted)

- Suction accumulator
- Suction accumulator with boil-out coil
- Discharge line Check valve
- Oil separator
- Oil separator c/w oil return filter & solenoid valve
- Adjustable head pressure control valves
- Receiver inlet ball valve
- Heated and Insulated receiver
- Over-sized receiver
- Sealed liquid line filter drier & sight-glass
- Ball valve - liquid line (shipped loose)
- Insulated suction lines
- Leg Kits
- Discharge air hood
- Sub cooling circuit on 5 and 7.5 HP models
- Flex hoses - for all pressure controls (Dual Pressure, Oil switch, etc..)
- Liquid line solenoid valve-(with standard 230 volt coil)-shipped loose
- Compressor Circuit breaker
- Current sensing relay - for use with Oil safety control (where applicable)
- Defrost heater contactor c/w fuse block
- Evaporator Fan contactor c/w fuse block
- Disconnect switch
- Disconnect Fusing
- Pump down toggle switch
- Lock out control circuit -Liquid solenoid valve with separate HP and LP controls
- Hoffmann Speed control for condenser fan (replaces flooded valve)
- Time delay relay for compressor
- Mechanical Time Clock -Paragon 8145
- Electronic Time Clock
- Electronic Defrost Kit
- Electronic Voltage/Phase Monitor

## R22 - HIGH TEMPERATURE CAPACITY BTU/H (WATTS)

CONDENSING UNIT MODEL	SATURATED SUCTION TEMPERATURE		AMBIENT TEMPERATURE ° F ( ° C)									
	° F	° C	80 (26.6)	85 (29.4)	90 (32.2)	95 (35)	100 (37.8)	105 (40.6)	110 (43.3)			
BEZA020H2 Compressor Model ZB15KCE	45 (7.2)	28100 (8236)	27400 (8030)	26600 (7796)	25900 (7591)	25100 (7356)	24300 (7122)	23500 (6887)				
	40 (4.4)	25900 (7591)	25200 (7386)	24500 (7181)	23800 (6975)	23100 (6770)	22400 (6565)	21600 (6331)				
	35 (1.7)	23800 (6975)	23100 (6770)	22500 (6594)	21900 (6419)	21200 (6213)	20500 (6008)	19800 (5803)				
	30 (-1.1)	21700 (6360)	21200 (6213)	20600 (6038)	20000 (5862)	19400 (5686)	18800 (5510)	18100 (5305)				
	25 (-3.9)	19800 (5803)	19300 (5657)	18800 (5510)	18200 (5334)	17700 (5188)	17100 (5012)	N/A N/A	N/A N/A			
	20 (-6.7)	18000 (5275)	17500 (5129)	17000 (4982)	16500 (4836)	16000 (4689)	N/A N/A	N/A N/A	N/A N/A			
	15 (-9.4)	16300 (4777)	15800 (4631)	15400 (4513)	14900 (4367)	N/A N/A	N/A N/A	N/A N/A	N/A N/A			
BEZA025H2 Compressor Model ZB19KCE	45 (7.2)	32200 (9437)	31400 (9203)	30500 (8939)	29700 (8705)	28800 (8441)	27900 (8177)	26900 (7884)				
	40 (4.4)	29500 (8646)	28800 (8441)	28000 (8206)	27200 (7972)	26400 (7737)	25500 (7474)	24700 (7239)				
	35 (1.7)	27000 (7913)	26300 (7708)	25600 (7503)	24900 (7298)	24200 (7093)	23400 (6858)	22600 (6624)				
	30 (-1.1)	24700 (7239)	24100 (7063)	23400 (6858)	22700 (6653)	22100 (6477)	21300 (6243)	20600 (6038)				
	25 (-3.9)	22500 (6594)	21900 (6419)	21300 (6243)	20700 (6067)	20100 (5891)	19400 (5686)	N/A N/A	N/A N/A			
	20 (-6.7)	20400 (5979)	19900 (5832)	19400 (5686)	18800 (5510)	18200 (5334)	N/A N/A	N/A N/A	N/A N/A			
	15 (-9.4)	18400 (5393)	18000 (5275)	17500 (5129)	17000 (4982)	N/A N/A	N/A N/A	N/A N/A	N/A N/A			
BEZA030H2 Compressor Model ZB21KCE	45 (7.2)	42500 (12456)	41500 (12163)	40500 (11870)	39400 (11547)	38300 (11225)	37200 (10903)	36000 (10551)				
	40 (4.4)	39100 (11460)	38100 (11166)	37200 (10903)	36200 (10610)	35100 (10287)	34100 (9994)	33000 (9672)				
	35 (1.7)	35800 (10492)	34900 (10229)	34000 (9965)	33100 (9701)	32200 (9437)	31200 (9144)	30200 (8851)				
	30 (-1.1)	32700 (9584)	31900 (9349)	31000 (9086)	30200 (8851)	29300 (8587)	28400 (8324)	27500 (8060)				
	25 (-3.9)	29700 (8705)	29000 (8499)	28200 (8265)	27400 (8030)	26600 (7796)	25800 (7562)	N/A N/A	N/A N/A			
	20 (-6.7)	26900 (7884)	26200 (7679)	25500 (7474)	24800 (7268)	24100 (7063)	N/A N/A	N/A N/A	N/A N/A			
	15 (-9.4)	24300 (7122)	23700 (6946)	23000 (6741)	22400 (6565)	N/A N/A	N/A N/A	N/A N/A	N/A N/A			
BEZA035H2 Compressor Model ZB26KC	45 (7.2)	48400 (14185)	47200 (13834)	45900 (13453)	44700 (13101)	43300 (12691)	42000 (12309)	40600 (11899)				
	40 (4.4)	44500 (13042)	43300 (12691)	42200 (12368)	41000 (12016)	39800 (11665)	38600 (11313)	37300 (10932)				
	35 (1.7)	40800 (11958)	39700 (11635)	38700 (11342)	37600 (11020)	36500 (10698)	35400 (10375)	34200 (10023)				
	30 (-1.1)	37300 (10932)	36300 (10639)	35400 (10375)	34400 (10082)	33400 (9789)	32300 (9467)	31300 (9174)				
	25 (-3.9)	34000 (9965)	33100 (9701)	32200 (9437)	31300 (9174)	30400 (8910)	29400 (8617)	N/A N/A	N/A N/A			
	20 (-6.7)	30800 (9027)	30000 (8792)	29200 (8558)	28400 (8324)	27600 (8089)	N/A N/A	N/A N/A	N/A N/A			
	15 (-9.4)	27900 (8177)	27100 (7943)	26400 (7737)	25600 (7503)	N/A N/A	N/A N/A	N/A N/A	N/A N/A			
BEZA040H2 Compressor Model ZB30KCE	45 (7.2)	55600 (16295)	54100 (15856)	52700 (15445)	51200 (15006)	49700 (14566)	48100 (14097)	46500 (13628)				
	40 (4.4)	51200 (15006)	49800 (14596)	48500 (14215)	47100 (13804)	45700 (13394)	44300 (12984)	42800 (12544)				
	35 (1.7)	47000 (13775)	45700 (13394)	44500 (13042)	43200 (12661)	41900 (12280)	40600 (11899)	39200 (11489)				
	30 (-1.1)	43000 (12603)	41800 (12251)	40700 (11928)	39500 (11577)	38300 (11225)	37100 (10873)	35900 (10522)				
	25 (-3.9)	39200 (11489)	38100 (11166)	37100 (10873)	36000 (10551)	34900 (10229)	33800 (9906)	N/A N/A	N/A N/A			
	20 (-6.7)	35500 (10404)	34600 (10141)	33600 (9848)	32700 (9584)	31700 (9291)	N/A N/A	N/A N/A	N/A N/A			
	15 (-9.4)	32100 (9408)	31300 (9174)	30400 (8910)	29500 (8646)	N/A N/A	N/A N/A	N/A N/A	N/A N/A			
BEZA050H2 Compressor Model ZB38KCE	45 (7.2)	68600 (20106)	66900 (19607)	65100 (19080)	63300 (18552)	61400 (17995)	59500 (17438)	57500 (16852)				
	40 (4.4)	63200 (18523)	61600 (18054)	59900 (17556)	58200 (17057)	56500 (16559)	54700 (16032)	52900 (15504)				
	35 (1.7)	58000 (16999)	56500 (16559)	55000 (16120)	53400 (15651)	51800 (15182)	50200 (14713)	48500 (14215)				
	30 (-1.1)	53000 (15533)	51700 (15152)	50200 (14713)	48800 (14302)	47300 (13863)	45800 (13423)	44300 (12984)				
	25 (-3.9)	48300 (14156)	47100 (13804)	45800 (13423)	44400 (13013)	43100 (12632)	41700 (12222)	N/A N/A	N/A N/A			
	20 (-6.7)	43900 (12866)	42700 (12515)	41500 (12163)	40300 (11811)	39100 (11460)	N/A N/A	N/A N/A	N/A N/A			
	15 (-9.4)	39600 (11606)	38600 (11313)	37500 (10991)	36400 (10668)	N/A N/A	N/A N/A	N/A N/A	N/A N/A			
BEZA060H2 Compressor Model ZB45KCE	45 (7.2)	83700 (24531)	81600 (23916)	79500 (23300)	77300 (22655)	75000 (21981)	72700 (21307)	70300 (20604)				
	40 (4.4)	76900 (22538)	75000 (21981)	73000 (21395)	71000 (20809)	68900 (20193)	66700 (19549)	64500 (18904)				
	35 (1.7)	70500 (20662)	68700 (20135)	66900 (19607)	65000 (19050)	63000 (18464)	61000 (17878)	58900 (17263)				
	30 (-1.1)	64400 (18875)	62800 (18406)	61100 (17907)	59300 (17380)	57500 (16852)	55600 (16295)	53700 (15739)				
	25 (-3.9)	58600 (17175)	57100 (16735)	55500 (16266)	53900 (15797)	52300 (15328)	50500 (14801)	N/A N/A	N/A N/A			
	20 (-6.7)	53200 (15592)	51800 (15182)	50400 (14771)	48900 (14332)	47300 (13863)	N/A N/A	N/A N/A	N/A N/A			
	15 (-9.4)	48200 (14127)	46900 (13746)	45500 (13335)	44200 (12954)	N/A N/A	N/A N/A	N/A N/A	N/A N/A			
BEZA075H2 Compressor Model ZB56KCE	45 (7.2)	97000 (28429)	94400 (27667)	91700 (26876)	88900 (26055)	86100 (25234)	83200 (24385)	80200 (23505)				
	40 (4.4)	89200 (26143)	86800 (25440)	84300 (24707)	81700 (23945)	79100 (23183)	76500 (22421)	73700 (21600)				
	35 (1.7)	81800 (23974)	79600 (23329)	77300 (22655)	75000 (21981)	72600 (21278)	70100 (20545)	67600 (19812)				
	30 (-1.1)	74800 (21923)	72800 (21336)	70700 (20721)	68600 (20106)	66400 (19461)	64200 (18816)	61800 (18113)				
	25 (-3.9)	68300 (20018)	66400 (19461)	64500 (18904)	62600 (18347)	60600 (17761)	58600 (17175)	N/A N/A	N/A N/A			
	20 (-6.7)	62100 (18200)	60400 (17702)	58700 (17204)	57000 (16706)	55200 (16178)	N/A N/A	N/A N/A	N/A N/A			
	15 (-9.4)	56400 (16530)	54800 (16061)	53300 (15621)	51700 (15152)	N/A N/A	N/A N/A	N/A N/A	N/A N/A			

--- Outside Operating Range

CONDENSING UNIT MODEL	SATURATED SUCTION TEMPERATURE		AMBIENT TEMPERATURE ° F ( ° C)													
	° F	° C	80	(26.6)	85	(29.4)	90	(32.2)	95	(35)	100	(37.8)	105	(40.6)	110	(43.3)
	BEZA020M6 Compressor Model ZB15KCE	35	(1.7)	24300	(7122)	23400	(6858)	22400	(6565)	21400	(6272)	20300	(5950)	19300	(5657)	18200
30		(-1.1)	22500	(6594)	21600	(6331)	20600	(6038)	19700	(5774)	18800	(5510)	17800	(5217)	16800	(4924)
25		(-3.9)	20700	(6067)	19800	(5803)	19000	(5569)	18200	(5334)	17300	(5070)	16400	(4807)	15500	(4543)
20		(-6.7)	19000	(5569)	18200	(5334)	17400	(5100)	16700	(4894)	15900	(4660)	15000	(4396)	14200	(4162)
15		(-9.4)	17300	(5070)	16700	(4894)	15900	(4660)	15200	(4455)	14500	(4250)	13700	(4015)	13000	(3810)
10		(-12.2)	15800	(4631)	15200	(4455)	14500	(4250)	13900	(4074)	13200	(3869)	12500	(3664)	11800	(3458)
5		(-15.0)	14300	(4191)	13800	(4045)	13200	(3869)	12600	(3693)	12000	(3517)	11400	(3341)	10700	(3136)
0		(-17.8)	13000	(3810)	12500	(3664)	11900	(3488)	11400	(3341)	10800	(3165)	10300	(3019)	9700	(2843)
-5		(-20.6)	11700	(3429)	11200	(3283)	10800	(3165)	10300	(3019)	9800	(2872)	9300	(2726)	8700	(2550)
-10		(-23.3)	10500	(3077)	10100	(2960)	9600	(2814)	9200	(2696)	8800	(2579)	8300	(2433)	7800	(2286)
BEZA025M6 Compressor Model ZB19KCE	35	(1.7)	30400	(8910)	29100	(8529)	27900	(8177)	26700	(7825)	25400	(7444)	24100	(7063)	22800	(6682)
	30	(-1.1)	28000	(8206)	26900	(7884)	25800	(7562)	24600	(7210)	23400	(6858)	22200	(6506)	21000	(6155)
	25	(-3.9)	25800	(7562)	24800	(7268)	23700	(6946)	22700	(6653)	21600	(6331)	20500	(6008)	19300	(5657)
	20	(-6.7)	23700	(6946)	22700	(6653)	21800	(6389)	20800	(6096)	19800	(5803)	18800	(5510)	17700	(5188)
	15	(-9.4)	21600	(6331)	20800	(6096)	19900	(5832)	19000	(5569)	18100	(5305)	17200	(5041)	16200	(4748)
	10	(-12.2)	19700	(5774)	18900	(5539)	18100	(5305)	17300	(5070)	16500	(4836)	15600	(4572)	14800	(4338)
	5	(-15.0)	17900	(5246)	17200	(5041)	16500	(4836)	15700	(4601)	15000	(4396)	14200	(4162)	13400	(3927)
	0	(-17.8)	16200	(4748)	15600	(4572)	14900	(4367)	14200	(4162)	13500	(3957)	12800	(3751)	12100	(3546)
	-5	(-20.6)	14600	(4279)	14000	(4103)	13400	(3927)	12800	(3751)	12200	(3576)	11600	(3400)	10900	(3195)
	-10	(-23.3)	13100	(3839)	12600	(3693)	12000	(3517)	11500	(3370)	10900	(3195)	10300	(3019)	9700	(2843)
BEZA030M6 Compressor Model ZB21KCE	35	(1.7)	38100	(11166)	36600	(10727)	35100	(10287)	33600	(9848)	32100	(9408)	30600	(8968)	29000	(8499)
	30	(-1.1)	35000	(10258)	33700	(9877)	32300	(9467)	30900	(9056)	29500	(8646)	28100	(8236)	26700	(7825)
	25	(-3.9)	32100	(9408)	30900	(9056)	29700	(8705)	28400	(8324)	27100	(7943)	25800	(7562)	24400	(7151)
	20	(-6.7)	29400	(8617)	28300	(8294)	27100	(7943)	26000	(7620)	24800	(7268)	23600	(6917)	22300	(6536)
	15	(-9.4)	26800	(7855)	25800	(7562)	24700	(7239)	23700	(6946)	22600	(6624)	21500	(6301)	20400	(5979)
	10	(-12.2)	24300	(7122)	23400	(6858)	22500	(6594)	21500	(6301)	20500	(6008)	19500	(5715)	18500	(5422)
	5	(-15.0)	22000	(6448)	21200	(6213)	20400	(5979)	19500	(5715)	18600	(5451)	17700	(5188)	16700	(4894)
	0	(-17.8)	19900	(5832)	19100	(5598)	18400	(5393)	17600	(5158)	16800	(4924)	15900	(4660)	15100	(4426)
	-5	(-20.6)	17900	(5246)	17200	(5041)	16500	(4836)	15800	(4631)	15100	(4426)	14300	(4191)	13500	(3957)
	-10	(-23.3)	16000	(4689)	15400	(4513)	14800	(4338)	14100	(4132)	13500	(3957)	12800	(3751)	12100	(3546)
BEZA035M6 Compressor Model ZB26KCE	35	(1.7)	43500	(12749)	41800	(12251)	40100	(11753)	38300	(11255)	36500	(10698)	34700	(10170)	32900	(9642)
	30	(-1.1)	40100	(11753)	38500	(11284)	36900	(10815)	35300	(10346)	33700	(9877)	32000	(9379)	30300	(8880)
	25	(-3.9)	36800	(10785)	35400	(10375)	33900	(9936)	32500	(9525)	30900	(9056)	29400	(8617)	27800	(8148)
	20	(-6.7)	33700	(9877)	32400	(9496)	31100	(9115)	29700	(8705)	28300	(8294)	26900	(7884)	25500	(7474)
	15	(-9.4)	30800	(9027)	29600	(8675)	28400	(8324)	27200	(7972)	25900	(7591)	24600	(7210)	23200	(6800)
	10	(-12.2)	28000	(8206)	27000	(7913)	25800	(7562)	24700	(7239)	23600	(6917)	22400	(6565)	21100	(6184)
	5	(-15.0)	25400	(7444)	24400	(7151)	23400	(6858)	22400	(6565)	21400	(6272)	20300	(5950)	19200	(5627)
	0	(-17.8)	23000	(6741)	22100	(6477)	21200	(6213)	20200	(5920)	19300	(5657)	18300	(5363)	17300	(5070)
	-5	(-20.6)	20700	(6067)	19900	(5832)	19100	(5598)	18200	(5334)	17400	(5100)	16500	(4836)	15500	(4543)
	-10	(-23.3)	18500	(5422)	17800	(5217)	17100	(5012)	16300	(4777)	15500	(4543)	14700	(4308)	13900	(4074)
BEZA040M6 Compressor Model ZB30KCE	35	(1.7)	48800	(14302)	46900	(13746)	44800	(13130)	42800	(12544)	40700	(11928)	38600	(11313)	36400	(10668)
	30	(-1.1)	45000	(13189)	43200	(12661)	41400	(12134)	39500	(11577)	37600	(11020)	35600	(10434)	33600	(9848)
	25	(-3.9)	41400	(12134)	39700	(11635)	38000	(11137)	36300	(10639)	34500	(10111)	32700	(9584)	30900	(9056)
	20	(-6.7)	37900	(11108)	36400	(10668)	34800	(10199)	33200	(9730)	31600	(9261)	29900	(8763)	28200	(8265)
	15	(-9.4)	34600	(10141)	33200	(9730)	31700	(9291)	30300	(8880)	28800	(8441)	27300	(8001)	25700	(7532)
	10	(-12.2)	31400	(9203)	30100	(8822)	28800	(8441)	27500	(8060)	26100	(7649)	24700	(7239)	23300	(6829)
	5	(-15.0)	28400	(8324)	27200	(7972)	26000	(7620)	24800	(7268)	23600	(6917)	22300	(6536)	21000	(6155)
	0	(-17.8)	25500	(7474)	24500	(7181)	23400	(6858)	22300	(6536)	21100	(6184)	20000	(5862)	18800	(5510)
	-5	(-20.6)	22800	(6682)	21900	(6419)	20900	(6125)	19900	(5832)	18800	(5510)	17700	(5188)	16600	(4865)
	-10	(-23.3)	20300	(5950)	19400	(5686)	18500	(5422)	17600	(5158)	16600	(4865)	15600	(4572)	14600	(4279)

--- Outside Operating Range

## CAPACITY BTU/H (WATTS)

CONDENSING UNIT MODEL	SATURATED SUCTION TEMPERATURE		AMBIENT TEMPERATURE ° F ( ° C)							
	° F	° C	80 (26.6)	85 (29.4)	90 (32.2)	95 (35)	100 (37.8)	105 (40.6)	110 (43.3)	
BEZA050M6 Compressor Model ZB38KCE	35 (1.7)		60800 (17819)	58300 (17087)	55900 (16383)	53400 (15651)	50900 (14918)	48300 (14156)	45700 (13394)	
	30 (-1.1)		56100 (16442)	53800 (15768)	51600 (15123)	49300 (14449)	47000 (13775)	44600 (13072)	42200 (12368)	
	25 (-3.9)		51600 (15123)	49500 (14508)	47500 (13921)	45400 (13306)	43200 (12661)	41000 (12016)	38800 (11372)	
	20 (-6.7)		47300 (13863)	45400 (13306)	43500 (12749)	41600 (12192)	39600 (11606)	37600 (11020)	35500 (10404)	
	15 (-9.4)		43200 (12661)	41500 (12163)	39800 (11665)	38000 (11137)	36200 (10610)	34400 (10082)	32500 (9525)	
	10 (-12.2)		39400 (11547)	37900 (11108)	36300 (10639)	34700 (10170)	33000 (9672)	31300 (9174)	29600 (8675)	
	5 (-15.0)		35800 (10492)	34400 (10082)	32900 (9642)	31500 (9232)	30000 (8792)	28400 (8324)	26800 (7855)	
	0 (-17.8)		32300 (9467)	31100 (9115)	29800 (8734)	28500 (8353)	27100 (7943)	25700 (7532)	24200 (7093)	
	-5 (-20.6)		29100 (8529)	28000 (8206)	26800 (7855)	25600 (7503)	24400 (7151)	23100 (6770)	21800 (6389)	
-10 (-23.3)		26100 (7649)	25100 (7356)	24100 (7063)	23000 (6741)	21900 (6419)	20700 (6067)	19500 (5715)		
BEZA060M6 Compressor Model ZB45KCE	35 (1.7)		74000 (21688)	71100 (20838)	68200 (19988)	65200 (19109)	62200 (18230)	59200 (17351)	56100 (16442)	
	30 (-1.1)		68100 (19959)	65500 (19197)	62800 (18406)	60100 (17614)	57300 (16794)	54500 (15973)	51600 (15123)	
	25 (-3.9)		62600 (18347)	60200 (17644)	57700 (16911)	55200 (16178)	52700 (15445)	50100 (14683)	47400 (13892)	
	20 (-6.7)		57300 (16794)	55100 (16149)	52900 (15504)	50600 (14830)	48200 (14127)	45800 (13423)	43400 (12720)	
	15 (-9.4)		52300 (15328)	50300 (14742)	48300 (14156)	46200 (13540)	44000 (12896)	41800 (12251)	39600 (11606)	
	10 (-12.2)		47600 (13951)	45800 (13423)	43900 (12866)	42000 (12309)	40100 (11753)	38100 (11166)	36000 (10551)	
	5 (-15.0)		43100 (12632)	41500 (12163)	39800 (11665)	38100 (11166)	36300 (10639)	34500 (10111)	32600 (9555)	
	0 (-17.8)		39000 (11430)	37500 (10991)	36000 (10551)	34400 (10082)	32800 (9613)	31100 (9115)	29400 (8617)	
	-5 (-20.6)		35000 (10258)	33700 (9877)	32400 (9496)	30900 (9056)	29500 (8646)	28000 (8206)	26400 (7737)	
-10 (-23.3)		31400 (9203)	30200 (8851)	29000 (8499)	27700 (8118)	26400 (7737)	25100 (7356)	23600 (6917)		
BEZA075M6 Compressor Model ZB56KCE	35 (1.7)		86800 (25440)	83300 (24414)	79800 (23388)	76100 (22304)	72300 (21190)	68400 (20047)	64500 (18904)	
	30 (-1.1)		80200 (23505)	77000 (22567)	73800 (21630)	70400 (20633)	67000 (19637)	63400 (18581)	59800 (17526)	
	25 (-3.9)		73800 (21630)	70900 (20780)	68000 (19930)	64900 (19021)	61800 (18113)	58600 (17175)	55300 (16208)	
	20 (-6.7)		67700 (19842)	65100 (19080)	62400 (18288)	59700 (17497)	56900 (16676)	53900 (15797)	50900 (14918)	
	15 (-9.4)		61900 (18142)	59600 (17468)	57200 (16764)	54700 (16032)	52100 (15270)	49500 (14508)	46800 (13716)	
	10 (-12.2)		56400 (16530)	54300 (15914)	52200 (15299)	49900 (14625)	47600 (13951)	45300 (13277)	42800 (12544)	
	5 (-15.0)		51300 (15035)	49400 (14478)	47400 (13892)	45400 (13306)	43400 (12720)	41200 (12075)	39000 (11430)	
	0 (-17.8)		46400 (13599)	44700 (13101)	42900 (12573)	41100 (12046)	39300 (11518)	37400 (10961)	35400 (10375)	
	-5 (-20.6)		41800 (12251)	40300 (11811)	38700 (11342)	37100 (10873)	35400 (10375)	33700 (9877)	31900 (9349)	
-10 (-23.3)		37500 (10991)	36100 (10580)	34700 (10170)	33200 (9730)	31800 (9320)	30200 (8851)	28600 (8382)		

--- Outside Operating Range

CONDENSING UNIT MODEL	SATURATED SUCTION TEMPERATURE		AMBIENT TEMPERATURE ° F ( ° C)													
	° F	° C	80	(26.6)	85	(29.4)	90	(32.2)	95	(35)	100	(37.8)	105	(40.6)	110	(43.3)
BEZA020L6 Compressor Model ZF06K4E	0	-(17.8)	13200	(3869)	12700	(3722)	12200	(3576)	11700	(3429)	11200	(3283)	10700	(3136)	10200	(2989)
	-5	-(20.6)	11900	(3488)	11500	(3370)	11100	(3253)	10600	(3107)	10200	(2989)	9700	(2843)	9300	(2726)
	-10	-(23.3)	10800	(3165)	10400	(3048)	10000	(2931)	9600	(2814)	9200	(2696)	8800	(2579)	8500	(2491)
	-15	-(26.1)	9700	(2843)	9400	(2755)	9100	(2667)	8700	(2550)	8400	(2462)	8000	(2345)	7700	(2257)
	-20	-(28.9)	8700	(2550)	8500	(2491)	8100	(2374)	7800	(2286)	7500	(2198)	7200	(2110)	6900	(2022)
	-25	-(31.7)	7800	(2286)	7600	(2227)	7300	(2140)	7000	(2052)	6700	(1964)	6400	(1876)	6200	(1817)
	-30	-(34.4)	7000	(2052)	6700	(1964)	6500	(1905)	6200	(1817)	6000	(1758)	5700	(1671)	5500	(1612)
	-35	-(37.2)	6100	(1788)	5900	(1729)	5700	(1671)	5500	(1612)	5300	(1553)	5000	(1465)	4800	(1407)
	-40	-(40.0)	5400	(1583)	5200	(1524)	5000	(1465)	4800	(1407)	4500	(1319)	4300	(1260)	4200	(1231)
BEZA025L6 Compressor Model ZF08K4E	0	-(17.8)	16700	(4894)	16100	(4719)	15500	(4543)	14900	(4367)	14200	(4162)	13500	(3957)	12800	(3751)
	-5	-(20.6)	15100	(4426)	14600	(4279)	14100	(4132)	13500	(3957)	12900	(3781)	12300	(3605)	11700	(3429)
	-10	-(23.3)	13700	(4015)	13200	(3869)	12700	(3722)	12200	(3576)	11700	(3429)	11200	(3283)	10600	(3107)
	-15	-(26.1)	12300	(3605)	11900	(3488)	11500	(3370)	11000	(3224)	10600	(3107)	10100	(2960)	9600	(2814)
	-20	-(28.9)	11000	(3224)	10700	(3136)	10300	(3019)	9900	(2902)	9500	(2784)	9100	(2667)	8600	(2521)
	-25	-(31.7)	9900	(2902)	9500	(2784)	9200	(2696)	8900	(2608)	8500	(2491)	8100	(2374)	7700	(2257)
	-30	-(34.4)	8800	(2579)	8500	(2491)	8200	(2403)	7900	(2315)	7600	(2227)	7200	(2110)	6900	(2022)
	-35	-(37.2)	7800	(2286)	7500	(2198)	7300	(2140)	7000	(2052)	6700	(1964)	6400	(1876)	6100	(1788)
	-40	-(40.0)	6900	(2022)	6600	(1934)	6400	(1876)	6200	(1817)	5900	(1729)	5600	(1641)	5300	(1553)
BEZA030L6 Compressor Model ZF09K4E	0	-(17.8)	18400	(5393)	17700	(5188)	17000	(4982)	16300	(4777)	15600	(4572)	14800	(4338)	14100	(4132)
	-5	-(20.6)	16700	(4894)	16100	(4719)	15500	(4543)	14800	(4338)	14200	(4162)	13500	(3957)	12800	(3751)
	-10	-(23.3)	15100	(4426)	14600	(4279)	14000	(4103)	13500	(3957)	12900	(3781)	12300	(3605)	11700	(3429)
	-15	-(26.1)	13600	(3986)	13100	(3839)	12700	(3722)	12200	(3576)	11700	(3429)	11100	(3253)	10600	(3107)
	-20	-(28.9)	12200	(3576)	11800	(3458)	11400	(3341)	11000	(3224)	10500	(3077)	10000	(2931)	9600	(2814)
	-25	-(31.7)	10900	(3195)	10600	(3107)	10200	(2989)	9800	(2872)	9400	(2755)	9000	(2638)	8600	(2521)
	-30	-(34.4)	9700	(2843)	9400	(2755)	9100	(2667)	8800	(2579)	8400	(2462)	8100	(2374)	7700	(2257)
	-35	-(37.2)	8600	(2521)	8300	(2433)	8100	(2374)	7800	(2286)	7500	(2198)	7100	(2081)	6800	(1993)
	-40	-(40.0)	7600	(2227)	7300	(2140)	7100	(2081)	6800	(1993)	6600	(1934)	6300	(1846)	6000	(1758)
BEZA035L6 Compressor Model ZF11K4E	0	-(17.8)	22200	(6506)	21400	(6272)	20500	(6008)	19700	(5774)	18700	(5481)	17800	(5217)	16800	(4924)
	-5	-(20.6)	20200	(5920)	19500	(5715)	18700	(5481)	17900	(5246)	17100	(5012)	16300	(4777)	15400	(4513)
	-10	-(23.3)	18400	(5393)	17700	(5188)	17000	(4982)	16300	(4777)	15600	(4572)	14800	(4338)	14000	(4103)
	-15	-(26.1)	16600	(4865)	16000	(4689)	15400	(4513)	14800	(4338)	14100	(4132)	13400	(3927)	12700	(3722)
	-20	-(28.9)	14900	(4367)	14400	(4220)	13900	(4074)	13300	(3898)	12700	(3722)	12100	(3546)	11500	(3370)
	-25	-(31.7)	13300	(3898)	12900	(3781)	12400	(3634)	12000	(3517)	11400	(3341)	10900	(3195)	10400	(3048)
	-30	-(34.4)	11900	(3488)	11500	(3370)	11100	(3253)	10700	(3136)	10200	(2989)	9800	(2872)	9300	(2726)
	-35	-(37.2)	10500	(3077)	10200	(2989)	9800	(2872)	9500	(2784)	9100	(2667)	8700	(2550)	8300	(2433)
	-40	-(40.0)	9300	(2726)	9000	(2638)	8700	(2550)	8400	(2462)	8000	(2345)	7700	(2257)	7300	(2140)
BEZA045L6 Compressor Model ZF13K4E	0	-(17.8)	26500	(7767)	25500	(7474)	24500	(7181)	23400	(6858)	22400	(6565)	21300	(6243)	20100	(5891)
	-5	-(20.6)	24000	(7034)	23100	(6770)	22200	(6506)	21200	(6213)	20300	(5950)	19300	(5657)	18300	(5363)
	-10	-(23.3)	21700	(6360)	20900	(6125)	20000	(5862)	19200	(5627)	18300	(5363)	17400	(5100)	16500	(4836)
	-15	-(26.1)	19500	(5715)	18700	(5481)	18000	(5275)	17200	(5041)	16500	(4836)	15700	(4601)	14800	(4338)
	-20	-(28.9)	17400	(5100)	16800	(4924)	16100	(4719)	15400	(4513)	14700	(4308)	14000	(4103)	13300	(3898)
	-25	-(31.7)	15500	(4543)	14900	(4367)	14300	(4191)	13700	(4015)	13100	(3839)	12500	(3664)	11900	(3488)
	-30	-(34.4)	13700	(4015)	13200	(3869)	12700	(3722)	12200	(3576)	11700	(3429)	11100	(3253)	10600	(3107)
	-35	-(37.2)	12000	(3517)	11600	(3400)	11100	(3253)	10700	(3136)	10300	(3019)	9900	(2902)	9500	(2784)
	-40	-(40.0)	10400	(3048)	10100	(2960)	9700	(2843)	9400	(2755)	9000	(2638)	8700	(2550)	8400	(2462)

--- Outside Operating Range

CONDENSING UNIT MODEL	SATURATED SUCTION TEMPERATURE		AMBIENT TEMPERATURE ° F ( ° C)								
	° F	° C	80 (26.6)	85 (29.4)	90 (32.2)	95 (35)	100 (37.8)	105 (40.6)	110 (43.3)		
BEZA055L6 Compressor Model ZF15K4E	0	-(17.8)	31700 (9291)	30500 (8939)	29200 (8558)	28000 (8206)	26700 (7825)	25300 (7415)	24000 (7034)		
	-5	-(20.6)	28700 (8411)	27700 (8118)	26600 (7796)	25400 (7444)	24300 (7122)	23100 (6770)	21800 (6389)		
	-10	-(23.3)	26000 (7620)	25000 (7327)	24100 (7063)	23100 (6770)	22000 (6448)	20900 (6125)	19800 (5803)		
	-15	-(26.1)	23400 (6858)	22600 (6624)	21700 (6360)	20800 (6096)	19900 (5832)	19000 (5569)	18000 (5275)		
	-20	-(28.9)	21000 (6155)	20300 (5950)	19500 (5715)	18800 (5510)	17900 (5246)	17100 (5012)	16200 (4748)		
	-25	-(31.7)	18800 (5510)	18200 (5334)	17500 (5129)	16800 (4924)	16100 (4719)	15400 (4513)	14600 (4279)		
	-30	-(34.4)	16800 (4924)	16200 (4748)	15600 (4572)	15000 (4396)	14400 (4220)	13700 (4015)	13100 (3839)		
	-35	-(37.2)	14900 (4367)	14400 (4220)	13900 (4074)	13300 (3898)	12800 (3751)	12200 (3576)	11600 (3400)		
	-40	-(40.0)	13100 (3839)	12700 (3722)	12200 (3576)	11800 (3458)	11300 (3312)	10800 (3165)	10300 (3019)		
BEZA060L6 Compressor Model ZF18K4E	0	-(17.8)	38200 (11196)	36800 (10785)	35300 (10346)	33900 (9936)	32400 (9496)	30900 (9056)	29300 (8587)		
	-5	-(20.6)	34700 (10170)	33400 (9789)	32200 (9437)	30800 (9027)	29500 (8646)	28200 (8265)	26800 (7855)		
	-10	-(23.3)	31400 (9203)	30300 (8880)	29200 (8558)	28000 (8206)	26800 (7855)	25600 (7503)	24400 (7151)		
	-15	-(26.1)	28300 (8294)	27300 (8001)	26400 (7737)	25300 (7415)	24300 (7122)	23200 (6800)	22200 (6506)		
	-20	-(28.9)	25400 (7444)	24600 (7210)	23700 (6946)	22800 (6682)	21900 (6419)	21000 (6155)	20100 (5891)		
	-25	-(31.7)	22700 (6653)	22000 (6448)	21300 (6243)	20500 (6008)	19700 (5774)	18900 (5539)	18100 (5305)		
	-30	-(34.4)	20200 (5920)	19600 (5744)	19000 (5569)	18300 (5363)	17600 (5158)	16900 (4953)	16200 (4748)		
	-35	-(37.2)	17900 (5246)	17300 (5070)	16800 (4924)	16200 (4748)	15600 (4572)	15000 (4396)	14400 (4220)		
	-40	-(40.0)	15700 (4601)	15200 (4455)	14700 (4308)	14200 (4162)	13700 (4015)	13200 (3869)	12700 (3722)		
BEZA075L6 Compressor Model ZF24K4E	0	-(17.8)	47000 (13775)	45400 (13306)	43600 (12778)	41900 (12280)	40100 (11753)	38200 (11196)	36200 (10610)		
	-5	-(20.6)	42600 (12485)	41100 (12046)	39600 (11606)	38100 (11166)	36400 (10668)	34800 (10199)	33000 (9672)		
	-10	-(23.3)	38500 (11284)	37200 (10903)	35800 (10492)	34500 (10111)	33000 (9672)	31500 (9232)	30000 (8792)		
	-15	-(26.1)	34600 (10141)	33400 (9789)	32300 (9467)	31100 (9115)	29800 (8734)	28500 (8353)	27200 (7972)		
	-20	-(28.9)	31000 (9086)	30000 (8792)	29000 (8499)	27900 (8177)	26800 (7855)	25700 (7532)	24500 (7181)		
	-25	-(31.7)	27600 (8089)	26700 (7825)	25900 (7591)	24900 (7298)	24000 (7034)	23000 (6741)	21900 (6419)		
	-30	-(34.4)	24500 (7181)	23700 (6946)	23000 (6741)	22100 (6477)	21300 (6243)	20400 (5979)	19500 (5715)		
	-35	-(37.2)	21600 (6331)	20900 (6125)	20200 (5920)	19500 (5715)	18800 (5510)	18000 (5275)	17200 (5041)		
	-40	-(40.0)	18900 (5539)	18300 (5363)	17700 (5188)	17100 (5012)	16400 (4807)	15800 (4631)	15000 (4396)		
BEZA100L6 Compressor Model ZF33K4E	0	-(17.8)	64000 (18757)	61600 (18054)	59100 (17321)	56600 (16589)	54000 (15826)	51400 (15064)	48700 (14273)		
	-5	-(20.6)	58300 (17087)	56100 (16442)	53900 (15797)	51600 (15123)	49400 (14478)	47000 (13775)	44700 (13101)		
	-10	-(23.3)	52800 (15475)	50900 (14918)	48900 (14332)	46900 (13746)	44900 (13159)	42900 (12573)	40800 (11958)		
	-15	-(26.1)	47600 (13951)	45900 (13453)	44200 (12954)	42400 (12427)	40600 (11899)	38800 (11372)	37000 (10844)		
	-20	-(28.9)	42700 (12515)	41200 (12075)	39600 (11606)	38100 (11166)	36500 (10698)	35000 (10258)	33400 (9789)		
	-25	-(31.7)	38000 (11137)	36600 (10727)	35300 (10346)	33900 (9936)	32600 (9555)	31200 (9144)	29900 (8763)		
	-30	-(34.4)	33500 (9818)	32300 (9467)	31100 (9115)	29900 (8763)	28800 (8441)	27600 (8089)	26500 (7767)		
	-35	-(37.2)	29200 (8558)	28100 (8236)	27100 (7943)	26100 (7649)	25000 (7327)	24100 (7063)	23100 (6770)		
	-40	-(40.0)	25100 (7356)	24200 (7093)	23200 (6800)	22300 (6536)	21400 (6272)	20600 (6038)	19800 (5803)		

--- Outside Operating Range



CONDENSING UNIT MODEL	COMPRESSOR MODEL NO.	POWER SUPPLY	COMPRESSOR		CONDENSER FAN MOTOR		UNIT		
			RLA	LRA	QTY	FLA	MCA	MOP	
BEZA020H2-*	S2A	ZB15KCE-PFV	208-230/1/60	15.7	61	1	1.1	20.7	35
	T3A	ZB15KCE-TF5	208-230/3/60	8.9	55	1	1.1	12.2	20
	T4A	ZB15KCE-TFD	460/3/60	5.0	27	1	0.6	6.9	15
BEZA025H2-*	S2A	ZB19KCE-PFV	208-230/1/60	17.9	73	1	1.1	23.5	40
	T3A	ZB19KCE-TF5	208-230/3/60	10.0	63	1	1.1	13.6	20
	T4A	ZB19KCE-TFD	460/3/60	5.0	31	1	0.6	6.9	15
BEZA030H2-*	S2A	ZB21KCE-PFV	208-230/1/60	20.7	100	1	2.1	28.0	45
	T3A	ZB21KCE-TF5	208-230/3/60	12.1	77	1	2.1	17.2	25
	T4A	ZB21KCE-TFD	460/3/60	6.1	39	1	1.1	8.7	15
	T5A	ZB21KCE-TFE	575/3/60	5.0	31	1	0.9	7.2	15
BEZA035H2-*	S2A	ZB26KC-PFV	208-230/1/60	20.7	127	1	2.1	28.0	45
	T3A	ZB26KC-TF5	208-230/3/60	13.9	88	1	2.1	19.5	30
	T4A	ZB26KC-TFD	460/3/60	7.1	44	1	1.1	10.0	15
	T5A	ZB26KC-TFE †	575/3/60	5.0	34	1	0.9	7.2	15
BEZA040H2-*	S2A	ZB30KCE-PFV	208-230/1/60	26.8	132	1	2.1	35.6	60
	T3A	ZB30KCE-TF5	208-230/3/60	15.7	115	1	2.1	21.7	35
	T4A	ZB30KCE-TFD	460/3/60	7.5	47.5	1	1.1	10.5	15
	T5A	ZB30KCE-TFE †	575/3/60	6.0	38	1	0.9	8.4	15
BEZA050H2-*	S2A	ZB38KCE-PFV	208-230/1/60	31.1	175	1	2.1	41.0	70
	T3A	ZB38KCE-TF5	208-230/3/60	22.1	115	1	2.1	29.7	50
	T4A	ZB38KCE-TFD	460/3/60	9.6	63	1	1.1	13.1	20
	T5A	ZB38KCE-TFE †	575/3/60	7.7	50	1	0.9	10.5	15
BEZA060H2-*	T3A	ZB45KCE-TF5	208-230/3/60	22.5	156	1	2.1	30.2	50
	T4A	ZB45KCE-TFD	460/3/60	11.5	70	1	1.1	15.5	25
	T5A	ZB45KCE-TFE †	575/3/60	9.2	56	1	0.9	12.4	20
BEZA075H2-*	T3A	ZB56KCE-TWC	208-230/3/60	30.0	189	1	2.1	39.6	70
	T4A	ZB56KCE-TWD	460/3/60	15.7	94	1	1.1	20.7	35
	T5A	ZB56KCE-TWE	575/3/60	11.4	74	1	0.9	15.2	25
BEZA020M6-*	S2A	ZB15KCE-PFV	208-230/1/60	15.7	61	1	1.1	20.7	35
	T3A	ZB15KCE-TF5	208-230/3/60	8.9	55	1	1.1	12.2	20
	T4A	ZB15KCE-TFD	460/3/60	5.0	27	1	0.6	6.9	15
BEZA025M6-*	S2A	ZB19KCE-PFV	208-230/1/60	17.9	73	1	1.1	23.5	40
	T3A	ZB19KCE-TF5	208-230/3/60	10.0	63	1	1.1	13.6	20
	T4A	ZB19KCE-TFD	460/3/60	5.0	31	1	0.6	6.9	15
BEZA030M6-*	S2A	ZB21KCE-PFV	208-230/1/60	20.7	100	1	2.1	28.0	45
	T3A	ZB21KCE-TF5	208-230/3/60	12.1	77	1	2.1	17.2	25
	T4A	ZB21KCE-TFD	460/3/60	6.1	39	1	1.1	8.7	15
	T5A	ZB21KCE-TFE	575/3/60	5.0	31	1	0.9	7.2	15
BEZA035M6-*	S2A	ZB26KCE-PFV	208-230/1/60	23.6	127	1	2.1	31.6	50
	T3A	ZB26KCE-TF5	208-230/3/60	13.9	88	1	2.1	19.5	30
	T4A	ZB26KCE-TFD	460/3/60	7.1	44	1	1.1	10.0	15
	T5A	ZB26KCE-TFE †	575/3/60	5.7	34	1	0.9	8.0	15
BEZA040M6-*	S2A	ZB30KCE-PFV	208-230/1/60	26.8	132	1	2.1	35.6	60
	T3A	ZB30KCE-TF5	208-230/3/60	15.7	115	1	2.1	21.7	35
	T4A	ZB30KCE-TFD	460/3/60	7.5	47.5	1	1.1	10.5	15
	T5A	ZB30KCE-TFE †	575/3/60	6.0	38	1	0.9	8.4	15
BEZA050M6-*	S2A	ZB38KCE-PFV	208-230/1/60	31.1	175	1	2.1	41.0	70
	T3A	ZB38KCE-TF5	208-230/3/60	22.1	115	1	2.1	29.7	50
	T4A	ZB38KCE-TFD	460/3/60	9.6	63	1	1.1	13.1	20
	T5A	ZB38KCE-TFE †	575/3/60	7.7	50	1	0.9	10.5	15
BEZA060M6-*	T3A	ZB45KCE-TF5	208-230/3/60	22.5	156	1	2.1	30.2	50
	T4A	ZB45KCE-TFD	460/3/60	11.5	70	1	1.1	15.5	25
	T5A	ZB45KCE-TFE †	575/3/60	9.2	56	1	0.9	12.4	20
BEZA075M6-*	T3A	ZB56KCE-TWC	208-230/3/60	30.0	189	1	2.1	39.6	70
	T4A	ZB56KCE-TWD	460/3/60	15.7	94	1	1.1	20.7	35
	T5A	ZB56KCE-TWE	575/3/60	11.4	74	1	0.9	15.2	25

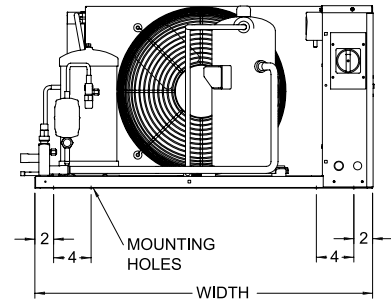
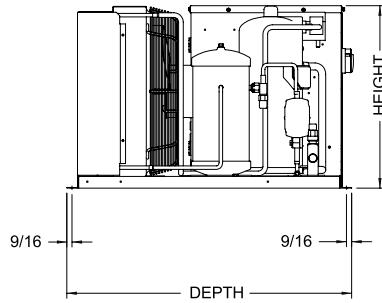
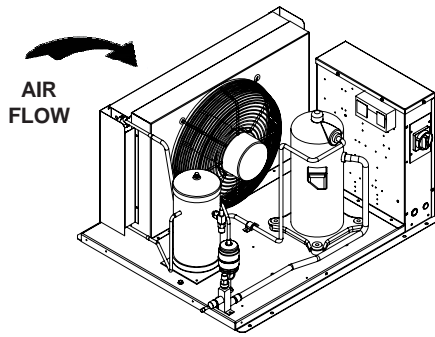
\* I = Indoor, H = Outdoor. Above listed RLA value is based on UL rating method and may differ from published compressor RLA data.

† Not all 575V compressors available at time of printing

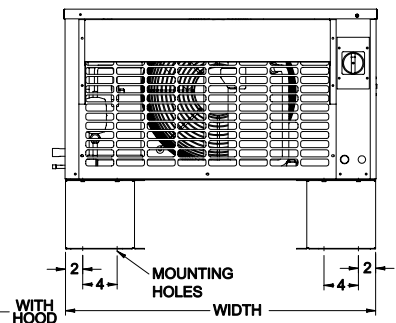
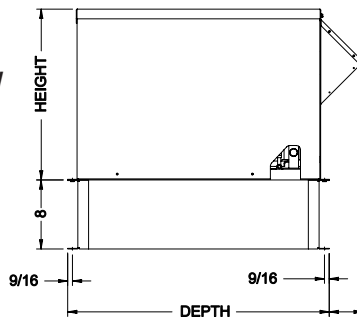
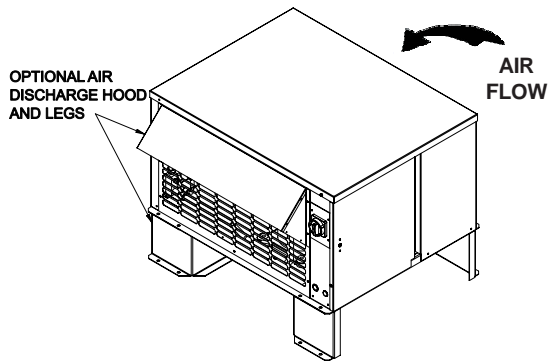
CONDENSING UNIT MODEL	COMPRESSOR MODEL NO.	POWER SUPPLY	COMPRESSOR		CONDENSER FAN MOTOR		UNIT		
			RLA	LRA	QTY	FLA	MCA	MOP	
BEZA020L6-*	S2A	ZF06K4E-PFV	208-230/1/60	13.6	61	1	0.5	17.5	30
	T3A	ZF06K4E-TF5	208-230/3/60	9.3	55	1	0.5	12.1	20
BEZA025L6-*	S2A	ZF08K4E-PFV	208-230/1/60	16.4	73	1	1.1	21.6	35
	T3A	ZF08K4E-TF5	208-230/3/60	9.7	63	1	1.1	13.2	20
	T4A	ZF08K4E-TFD	460/3/60	5.0	39	1	0.6	6.9	15
BEZA030L6-*	S2A	ZF09KCE-PFV	208-230/1/60	16.4	88	1	1.1	21.6	35
	T3A	ZF09KCE-TF5	208-230/3/60	11.1	77	1	1.1	15.0	25
	T4A	ZF09KCE-TFD	460/3/60	5.7	39	1	0.6	7.7	15
	T5A	ZF09KCE-TFE	575/3/60	4.3	31	1	0.5	5.9	15
BEZA035L6-*	S2A	ZF11K4E-PFV	208-230/1/60	20.7	109	1	1.1	27.0	45
	T3A	ZF11K4E-TF5	208-230/3/60	13.6	88	1	1.1	18.1	30
	T4A	ZF11K4E-TFD	460/3/60	7.1	44	1	0.6	9.5	15
	T5A	ZF11K4E-TFE	575/3/60	5.0	34	1	0.5	6.8	15
BEZA045L6-*	S2A	ZF13K4E-PFV	208-230/1/60	26.8	129	1	2.1	35.6	60
	T3A	ZF13K4E-TF5	208-230/3/60	15.0	99	1	2.1	20.9	35
	T4A	ZF13K4E-TFD	460/3/60	8.2	49.5	1	1.1	11.4	15
	T5A	ZF13K4E-TFE	575/3/60	8.2	40	1	0.9	11.2	15
BEZA055L6-*	S2A	ZF15K4E-PFV	208-230/1/60	31.8	169	1	2.1	41.9	70
	T3A	ZF15K4E-TF5	208-230/3/60	21.4	123	1	2.1	28.9	50
	T4A	ZF15K4E-TFD	460/3/60	9.6	62	1	1.1	13.1	20
	T5A	ZF15K4E-TFE	575/3/60	7.9	50	1	0.9	10.8	15
BEZA060L6-*	T3A	ZF18K4E-TF5	208-230/3/60	23.9	156	1	2.1	32.0	50
	T4A	ZF18K4E-TFD	460/3/60	9.3	70	1	1.1	12.7	20
	T5A	ZF18K4E-TFE	575/3/60	7.9	54	1	0.9	10.8	15
BEZA075L6-*	T3A	ZF24K4E-TWC	208-230/3/60	30.0	189	1	2.1	39.6	70
	T4A	ZF24K4E-TWD	460/3/60	15.7	94	1	1.1	20.7	35
	T5A	ZF24K4E-TWE	575/3/60	8.9	74	1	0.9	12.0	20
BEZA100L6-*	T3A	ZF33K4E-TWC	208-230/3/60	43.6	278	1	2.1	56.6	100
	T4A	ZF33K4E-TWD	460/3/60	21.1	127	1	1.1	27.5	45
	T5A	ZF33K4E-TWE	575/3/60	16.1	100	1	0.9	21.0	35

\* I = Indoor, H = Outdoor. Above listed RLA value is based on UL rating method and may differ from published compressor RLA data.

# DIMENSIONAL DATA (Models 020 to 035 L6)



## INDOOR DIMENSIONS



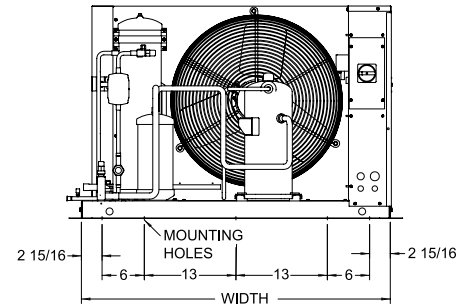
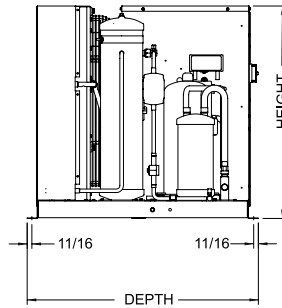
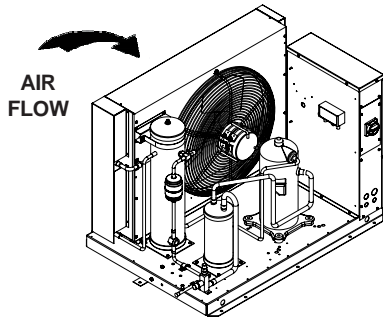
## OUTDOOR DIMENSIONS

CONDENSING UNIT MODEL	WIDTH		DEPTH				HEIGHT*	
			Base		With Hood			
	Inches	mm	Inches	mm	Inches	mm	Inches	mm
BEZ A 020	36 3/8	924	30 3/8	772	34 3/8	873	19 7/8	505
BEZ A 025	36 3/8	924	30 3/8	772	34 3/8	873	19 7/8	505
BEZ A 030 L6	36 3/8	924	30 3/8	772	34 3/8	873	19 7/8	505
BEZ A 035 L6	36 3/8	924	30 3/8	772	34 3/8	873	19 7/8	505

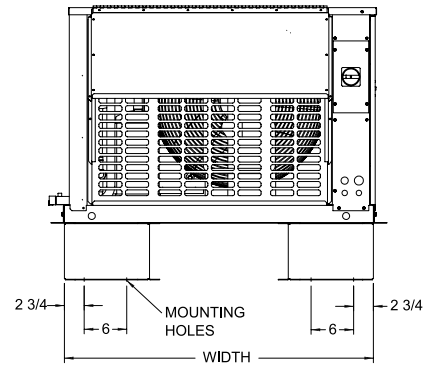
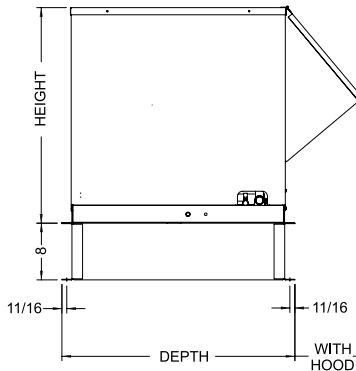
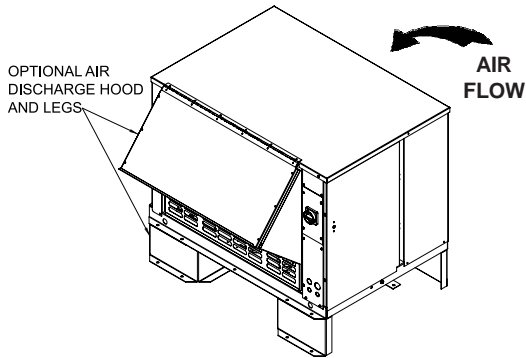
\*Note: Dimensions for indoor models may be smaller by up to 3/8" (10 mm)

NOTE: Discharge hood and legs are optional components

# DIMENSIONAL DATA (Models 030 H2/M6 to 100)



## INDOOR DIMENSIONS



## OUTDOOR DIMENSIONS

CONDENSING UNIT MODEL	WIDTH		DEPTH				HEIGHT*	
			Base		With Hood			
	Inches	mm	Inches	mm	Inches	mm	Inches	mm
BEZ A 030 H2/M6	47 3/8	1203	32 7/8	835	43	1092	30 3/8	772
BEZ A 035 H2/M6	47 3/8	1203	32 7/8	835	43	1092	30 3/8	772
BEZ A 040 H2/M6	47 3/8	1203	32 7/8	835	43	1092	30 3/8	772
BEZ A 045 L6	47 3/8	1203	32 7/8	835	43	1092	30 3/8	772
BEZ A 050 H2/M6	47 3/8	1203	32 7/8	835	43	1092	30 3/8	772
BEZ A 055 L6	47 3/8	1203	32 7/8	835	43	1092	30 3/8	772
BEZ A 060 L6	55 5/8	1413	35 7/8	911	43	1092	41 7/8	1064
BEZ A 075	55 5/8	1413	35 7/8	911	43	1092	41 7/8	1064
BEZ A 100 †	55 5/8	1413	35 7/8	911	43	1092	41 7/8	1064

\*Note: Dimensions for indoor models may be smaller by up to 3/8" (10 mm)

† Options may be limited. Consult factory for details.

NOTE: Discharge hood and legs are optional components



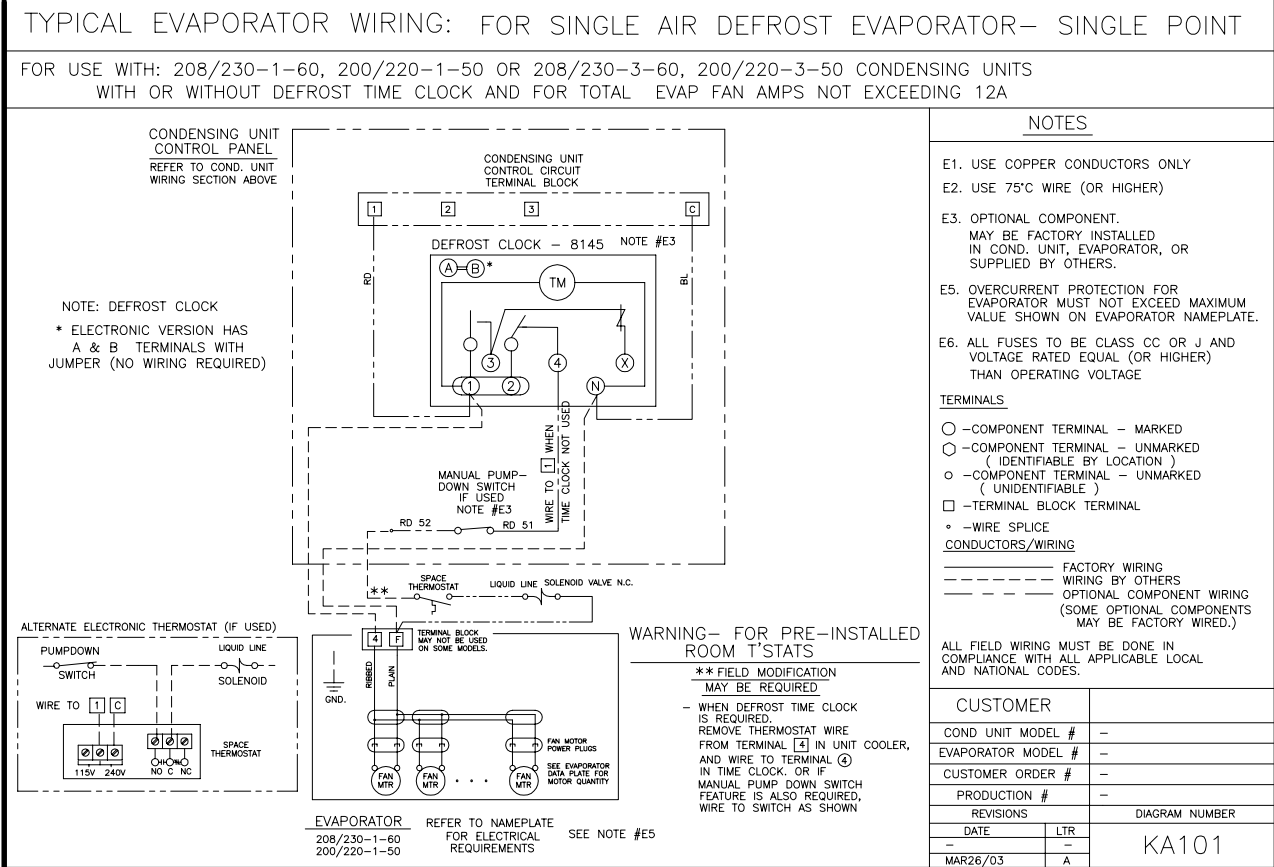
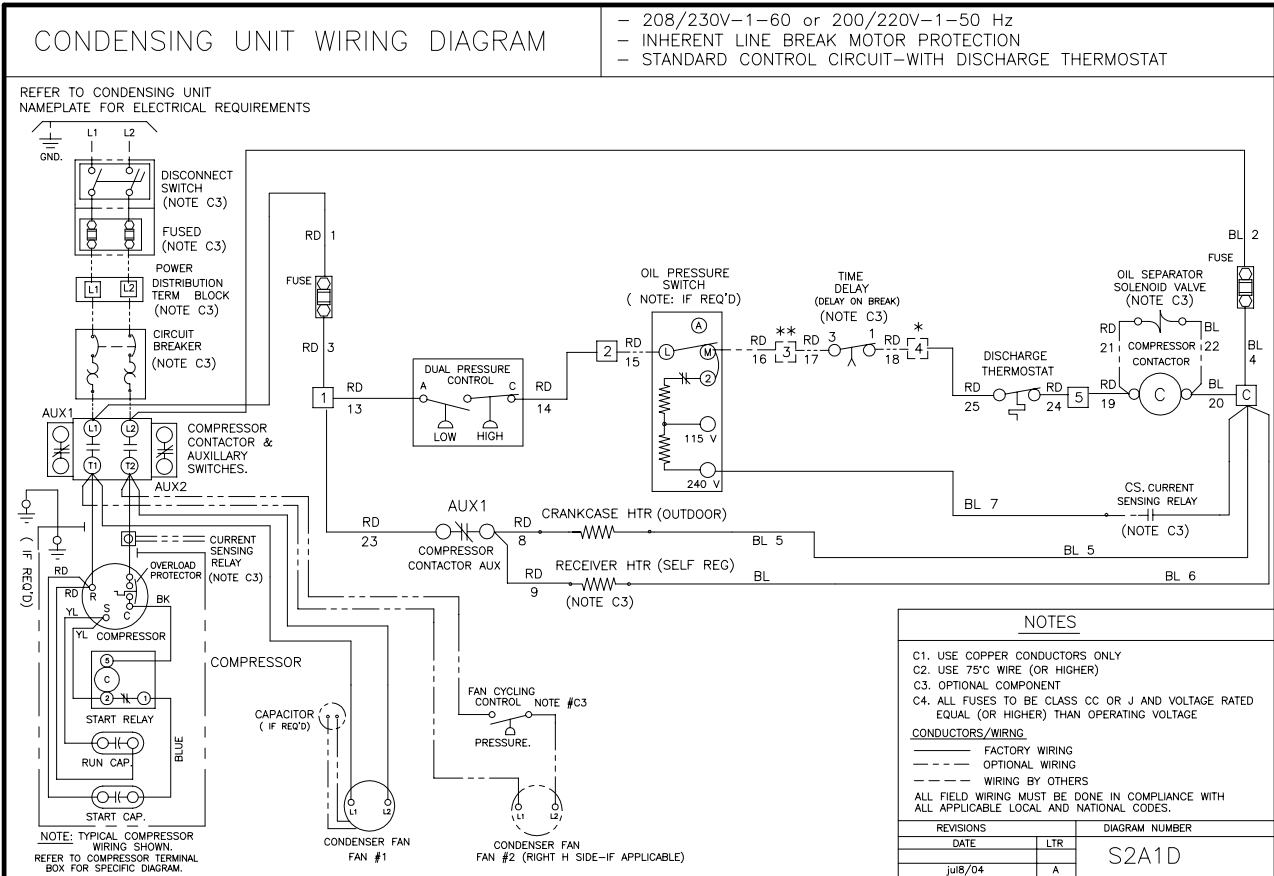
# SPECIFICATIONS

CONDENSING UNIT MODEL	COMPRESSOR MODEL	UNIT CONNECTIONS				RECEIVER CAPACITY 90% FULL		APPROX. SHIPPING WEIGHT			
		SUCTION (OD)		LIQUID (OD)				INDOOR		OUTDOOR	
		Inches	mm	Inches	mm	Lbs.	Kgs	Lbs.	Kgs	Lbs.	Kgs
BEZA020H2	ZB15KCE	7/8	22	3/8	10	13	6	280	127	300	136
BEZA025H2	ZB19KCE	7/8	22	3/8	10	16	7	290	132	320	145
BEZA030H2	ZB21KCE	1 1/8	29	1/2	13	25	11	380	172	410	186
BEZA035H2	ZB26KC	1 1/8	29	1/2	13	25	11	380	172	415	188
BEZA040H2	ZB30KCE	1 1/8	29	1/2	13	25	11	390	177	420	191
BEZA050H2	ZB38KCE	1 1/8	29	1/2	13	25	11	390	177	425	193
BEZA060H2	ZB45KCE	1 3/8	35	5/8	16	35	16	430	195	470	213
BEZA075H2	ZB56KCE	1 3/8	35	5/8	16	35	16	440	200	480	218
BEZA020M6	ZB15KCE	7/8	22	3/8	10	11	5	280	127	300	136
BEZA025M6	ZB19KCE	7/8	22	1/2	13	14	6	290	132	320	145
BEZA030M6	ZB21KCE	1 1/8	29	1/2	13	22	10	380	172	410	186
BEZA035M6	ZB26KCE	1 1/8	29	1/2	13	22	10	380	172	415	188
BEZA040M6	ZB30KCE	1 1/8	29	1/2	13	22	10	390	177	420	191
BEZA050M6	ZB38KCE	1 1/8	29	1/2	13	22	10	390	177	425	193
BEZA060M6	ZB45KCE	1 3/8	35	5/8	16	30	14	430	195	470	213
BEZA075M6	ZB56KCE	1 3/8	35	5/8	16	30	14	440	200	480	218
BEZA020L6	ZF06K4E	7/8	22	3/8	10	11	5	290	132	315	143
BEZA025L6	ZF08K4E	7/8	22	3/8	10	14	6	310	141	335	152
BEZA030L6	ZF09K4E	7/8	22	3/8	10	14	6	390	177	425	193
BEZA035L6	ZF11K4E	1 1/8	29	1/2	13	14	6	400	181	430	195
BEZA045L6	ZF13K4E	1 1/8	29	1/2	13	22	10	400	181	435	197
BEZA055L6	ZF15K4E	1 1/8	29	1/2	13	22	10	400	181	440	200
BEZA060L6	ZF18K4E	1 3/8	35	1/2	13	30	14	450	204	485	220
BEZA075L6	ZF24K4E	1 3/8	35	5/8	16	30	14	460	209	495	225
BEZA100L6 ^	ZF33K4E	1 3/8	35	5/8	16	48	22	500	227	545	247

^ Options may be limited. Consult factory for details.

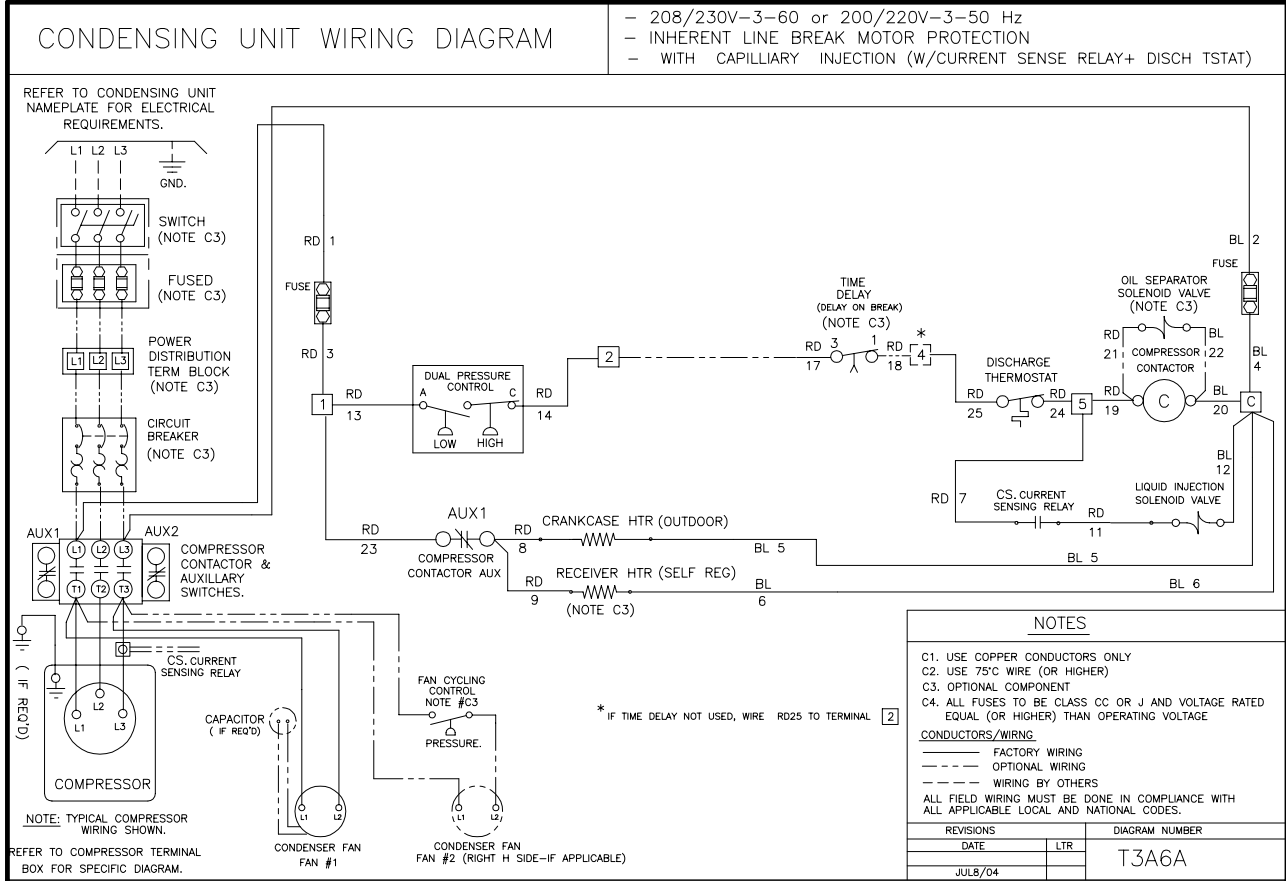
# TYPICAL SYSTEM WIRING DIAGRAM

## 208-230/1/60



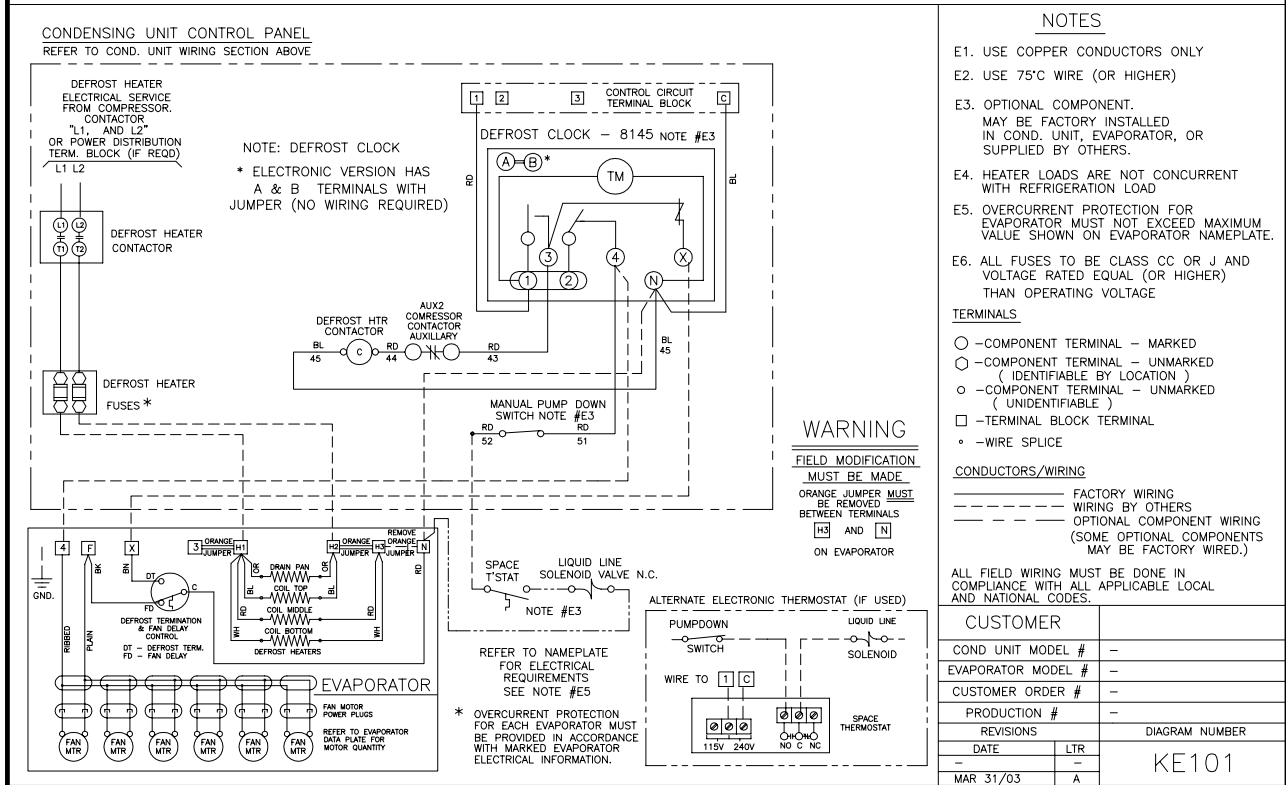
# TYPICAL SYSTEM WIRING DIAGRAM

## 208-230/3/60



### TYPICAL EVAPORATOR WIRING: FOR SINGLE LOW PROFILE ELECT DEFROST EVAPORATOR- SINGLE POINT

FOR USE WITH: 230V SINGLE OR THREE PHASE CONDENSING UNITS WITH DEFROST TIME CLOCK, AND DEFR. HTR. CONTACTOR.

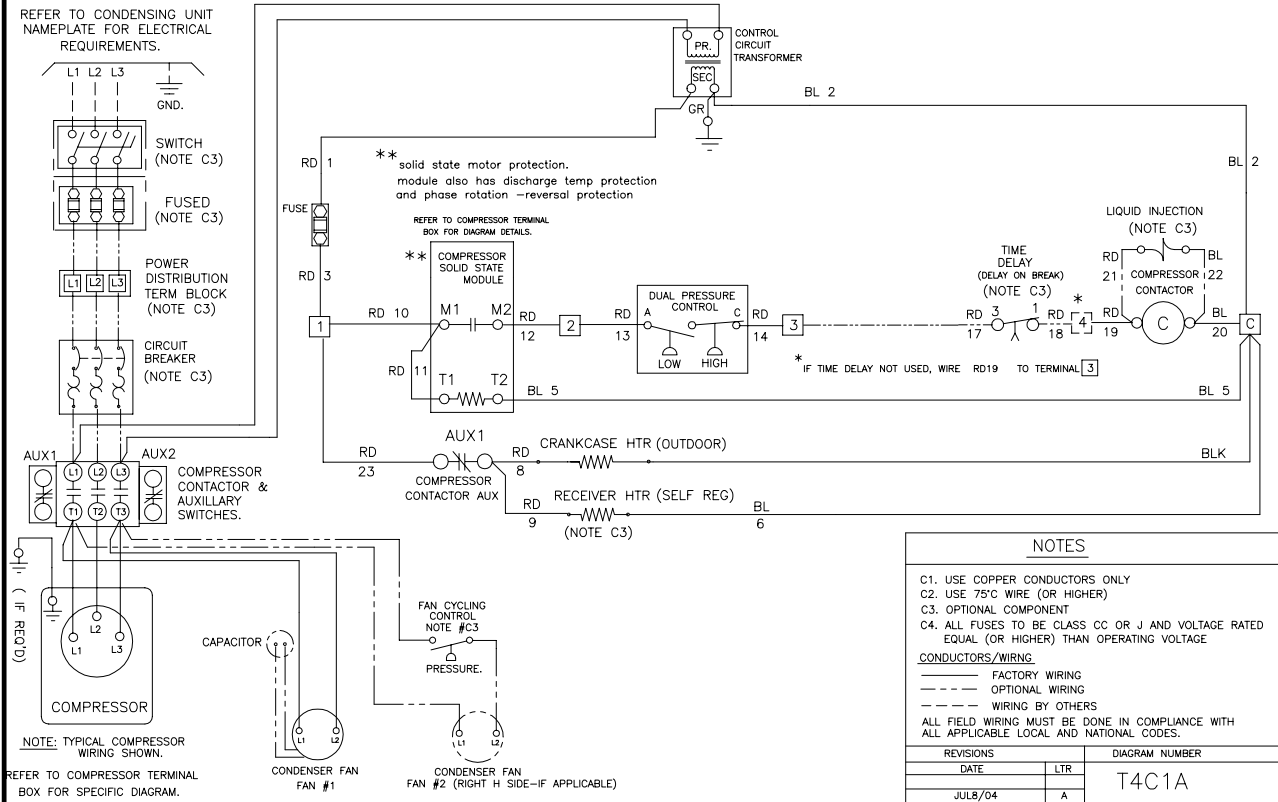


# TYPICAL SYSTEM WIRING DIAGRAM

## 460/3/60, 575/3/60

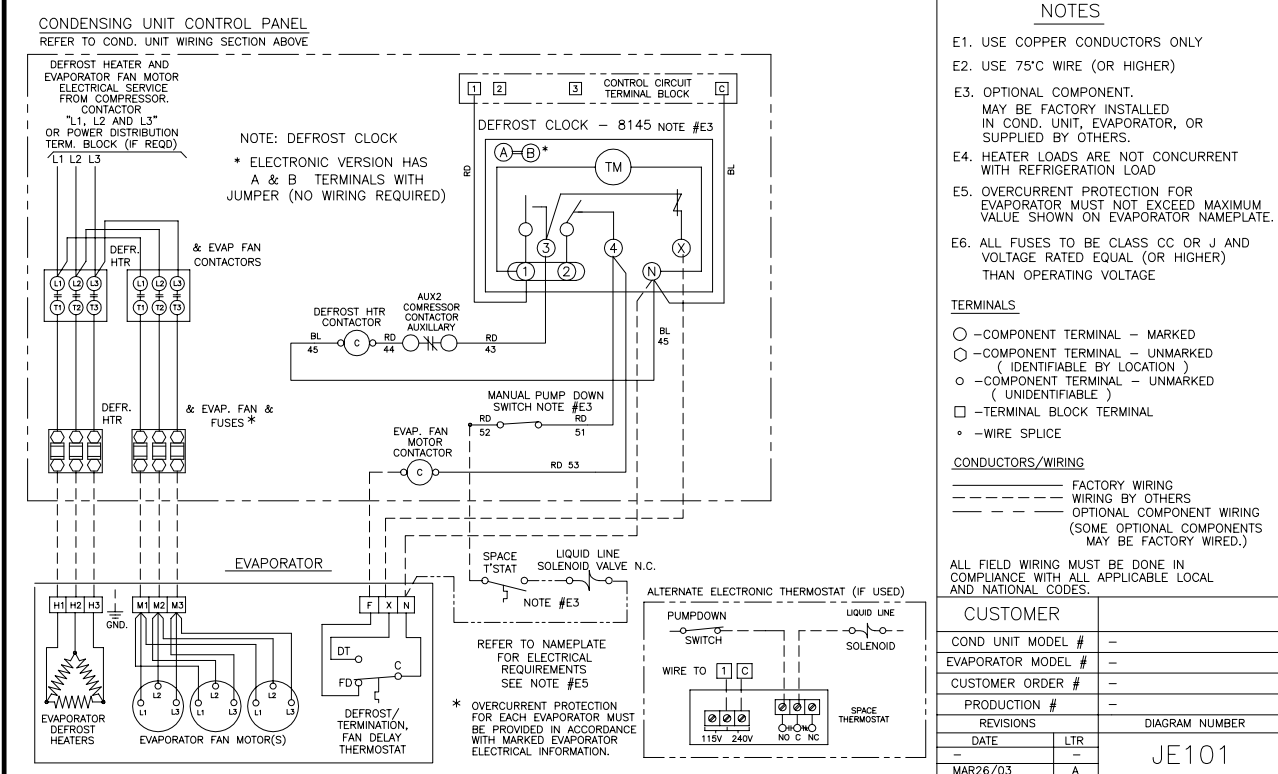
### CONDENSING UNIT WIRING DIAGRAM

- 460-3-60 ,575-3-60 Hz or 380/400V-3-50 Hz
- SOLID STATE MODULE MOTOR PROTECTION (COPELAND SCROLL)
- STANDARD CONTROL CIRCUIT -W/ OPTIONAL CAPILL INJECTION



### TYPICAL EVAPORATOR WIRING: FOR SINGLE MED PROFILE ELECT DEFROST EVAPORATOR— SINGLE POINT

FOR USE WITH: THREE PHASE CONDENSING UNITS WITH DEFROST TIME CLOCK, & EVAP FAN AND DEFR. HTR. CONTACTORS.





# NOTES

# NOTES

# NOTES

System	
Model Number	Date of Start-Up
Serial Number	Service Contractor
Refrigerant	Phone
Electrical Supply	Fax



**General Sales, Parts & Service Manufacturing & Engineering**  
**135 Little Nine Drive, Morehead City, NC 28557**  
**252-240-2829 • 1-800-24-BALLY • FAX: 252-240-0384**  
**e-mail: ballysales@ballyrefboxes.com • www.ballyrefboxes.com**

DISTRIBUTED BY: \_\_\_\_\_

*Due to Manufacturer's policy of continuous product improvement,  
the Manufacturer reserves the right to make changes without notice.*



07/24/2007