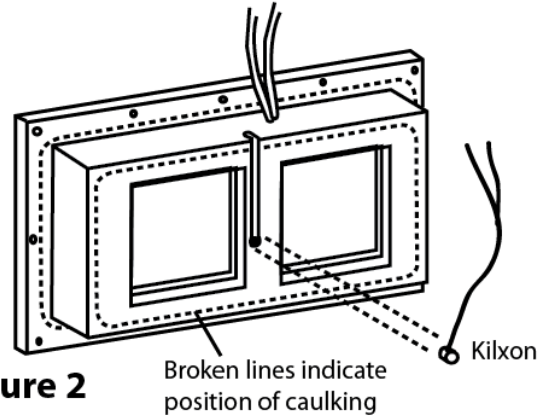


## INSTALLATION OF PRESSURE RELIEF PORTS IN 5" and 6" PANELS

### INSTALLING PRESSURE RELIEF PORT HOOD

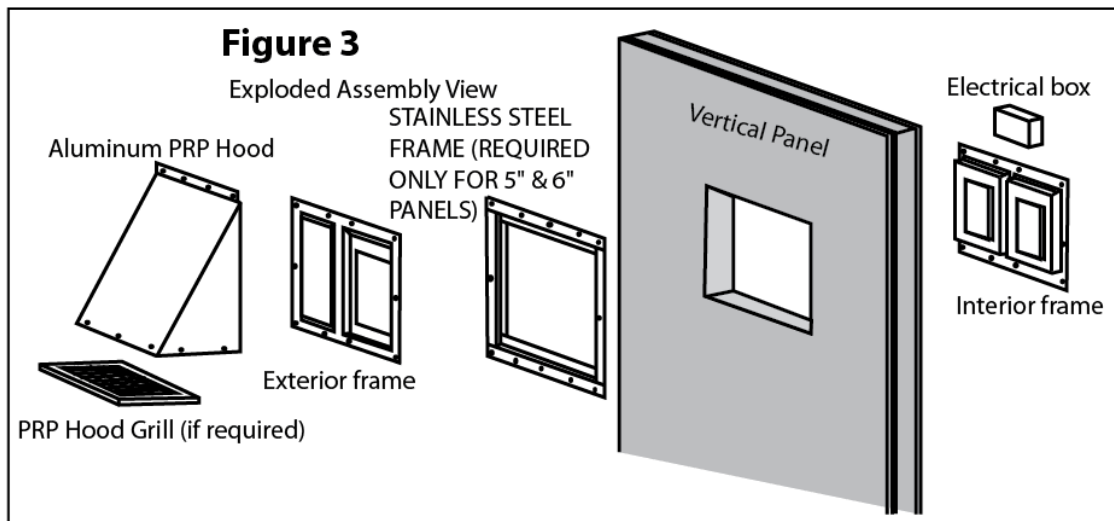
1. Install pressure relief port as described on opposite side.
2. Center aluminum PRP hood over pressure relief port (Fig. 3) and fasten with 12-14 x 1½" TEK #2 Screws.

(#024311-plain)  
(#024312-white)  
(#024317-tan)



**Figure 2**

Broken lines indicate position of caulking



**Figure 3**

Exploded Assembly View  
STAINLESS STEEL  
FRAME (REQUIRED  
ONLY FOR 5" & 6"  
PANELS)

### PACKING LIST

#### OUTDOOR INSTALLATION

1. Instruction (IM-118-69)
  1. Pressure Relief Port Assembly (049568) PVC, (005790) S/S
  1. Stainless Steel Frame (051565) 5", (051566) 6"
  1. Caulking (Tube) (016792)
  1. Electrical Box (017280)
  1. Electrical Box Cover (032299)
- Flat head metal screws
26. #6 x ½" w/ flush washer (016415/016338)
  3. #8 x ½" (016424)
  16. 1/8" S/S Pop Rivets (017132)
- Painted Matched Parts
1. Aluminum Hood (Finish to match)
  4. 12-14 x 1½" TEK #2  
(024311) plain, (024312) white, (024317) tan

#### INDOOR INSTALLATION

1. Instruction (IM-118-69)
  1. Pressure Relief Port Assembly (049568) PVC, (005790) S/S
  1. Stainless Steel Frame (051565) 5", (051566) 6"
  1. Caulking (Tube) (016792)
  1. Electrical Box (017280)
  1. Electrical Box Cover (032299)
- Flat head metal screws
26. #6 x ½" w/ flush washer (016415/016338)
  3. #8 x ½" (016424)
  16. 1/8" S/S Pop Rivets (017132)
- Painted Matched Parts
4. 12-14 x 1½" TEK #2  
(024311) plain, (024312) white, (024317) tan



**INSTRUCTION MANUAL**  
**Installation of PRP in 5" and 6" Panels**  
**IM-277-90**

**INSTALLING A BALLY PVC/STAINLESS STEEL PRESSURE RELIEF PORT IN 5" AND 6" PANELS**  
 PLEASE READ COMPLETELY BEFORE PROCEEDING

1. Mark on a vertical panel the required openings as shown in Fig. 1. (Since these port doors open when interior air pressure changes the pressure relief port should be installed in a wall where it will not interfere with personnel or accessories.)
2. Cut thru inside metal, insulation and outside metal for large opening (11½" x 17¼").  
The small opening is for the electrical junction box and requires cutting inside metal only.
3. Locate stainless steel frame (applicable frame for 5" or 6" panel installation) in exterior opening. Drill pilot holes in exterior skin using a 9/64" Dia. bit. Secure with 1/8" stainless steel pop rivets (017132).
4. Cut hole thru insulation from large opening to electrical box opening. After punching out knock-outs in electrical box, install in opening with holes facing large cutout.
5. On the interior plastic frame (recognized by Klixon switch) place a bead of caulking at the two locations indicated in Fig. 2.

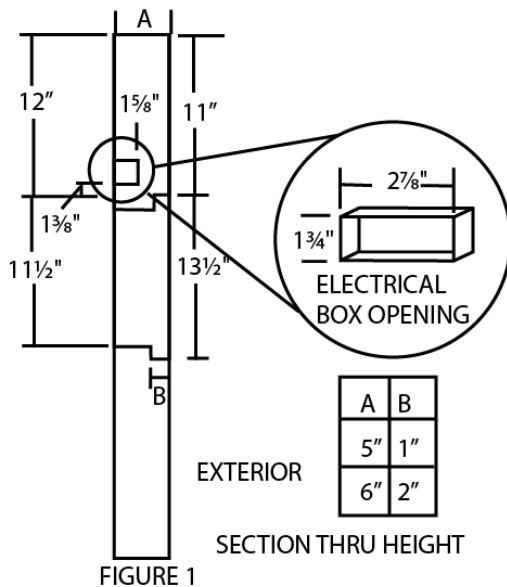
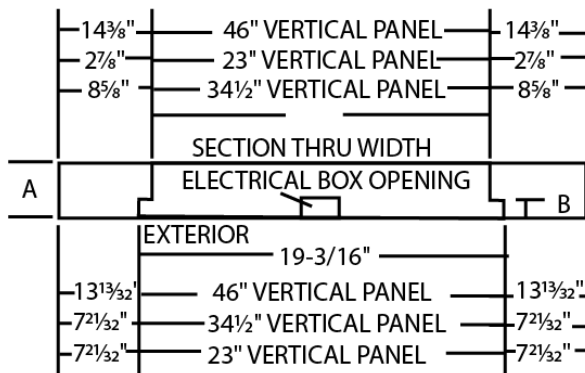


FIGURE 1

6. Guide heater wires and Klixon leads into electrical box and position plastic frame in opening on interior of walk-in. Press into position securely.
7. Drill 7/64" Dia. holes on interior panel using the PRP frame as a guide. Fasten with #6 screws (016415) and flush washers (016538).
8. Place caulking on remaining plastic frame. Guide the heater wires into electrical box and position plastic frame in opening on exterior of walk-in.
9. Drill 7/64" Dia. holes in exterior panel using the PRP frame as a guide. Fasten with #6 screws (016415) and flush washers (016538).
10. Run a 115/1/60 line thru the connector in the electrical box cover. Splice white wires to green (neutral line) and attach to electrical box by drilling a 9/64" Dia. hole and using a #8 screw (016424). Wire nut blue and brown wires to hot line. Position cover, drill 7/64" Dia. holes, and secure with #6 screws (016415) and flush washers (016538).